

# LCD-2

*universal LCD monitor desk mount*

## Product Features:

can be attached as a clamp-on or bolt through mount with parts provided

holds most 10" - 23" LCD monitors

accommodates monitors with 75 or 100mm VESA standards

rotates 360° and has adjustable -5° to +30° tilt

force arm has adjustable 0° to 60° forward tilt

load capacity - 25 lbs

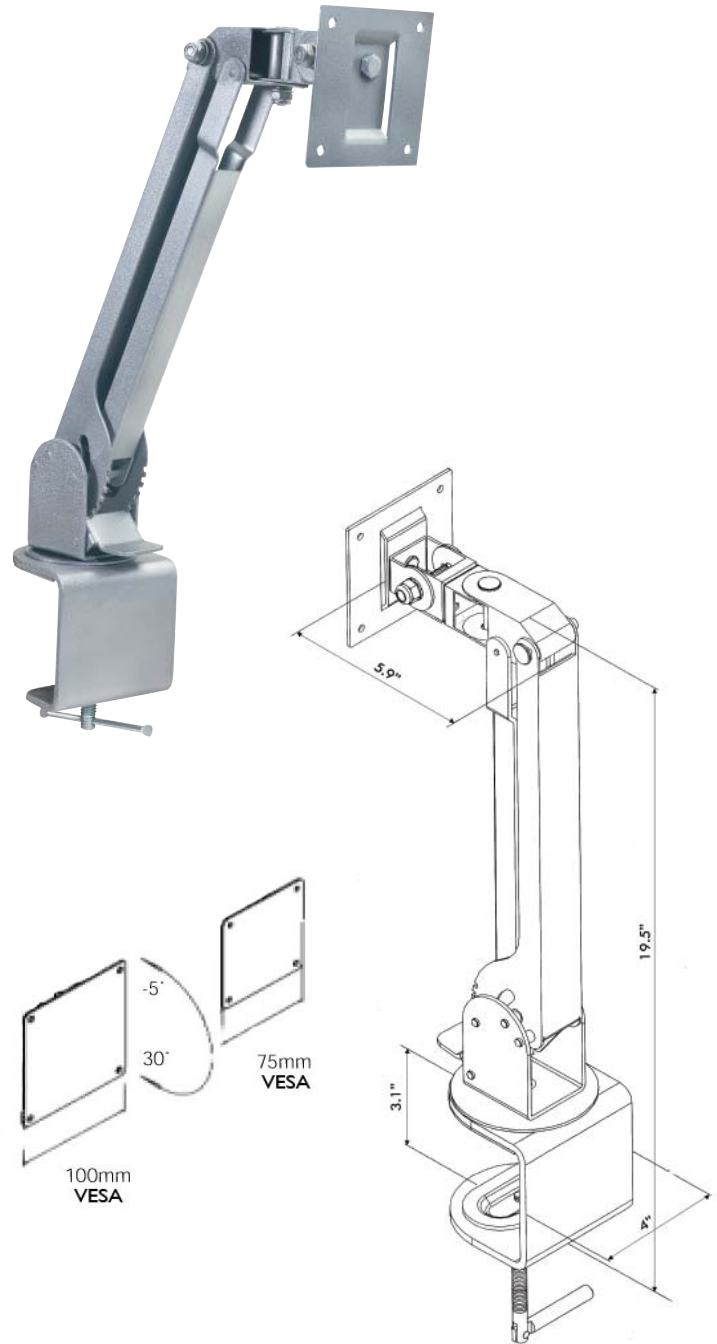
silver powder coat finish

also available with black finish (LCD-2B)

## Product Specifications:

*(for Architects & Engineers)*

The table/desk mount for the LCD display shall be the Video Mount Products (VMP) model LCD-2. The mount shall be constructed primarily of formed steel and shall incorporate nylon filled nuts. The mount shall be a universal style mount capable of mounting to all 10" - 23" LCD monitors that incorporate 75mm and 100mm VESA standard mounting hole patterns and not necessarily be model specific. The mount shall include both 75mm and 100mm mounting plates. The mount shall be capable of being configured as a clamp style or drill through mount with parts provided. The mount must allow for adjustable tilt from -5° to +30° at the head and a 0° - 60° forward tilt. The load capacity shall be 25 lbs



## Video Mount Products

325 Log Canoe Circle

Stevensville, MD 21666

Phone: 410.643.6390

Fax: 410.643.6615

[www.videomount.com](http://www.videomount.com)

**VMP**  
VIDEO MOUNT PRODUCTS